



CME 840 E.

4 electric hotplates.

- **Electric hob.**
- Dimensions: 800 x 650 mm.
- 1 x 2.6 kW ring, Ø 220 mm.
- 2 x 2 kW rings, Ø 180 mm.
- 1 x 1.5 kW ring, Ø 145 mm.



CME 840 E W 800 - D 650 - H 900

Shelving supports option - 5 levels - takes
Gastronorm 1/1 containers.

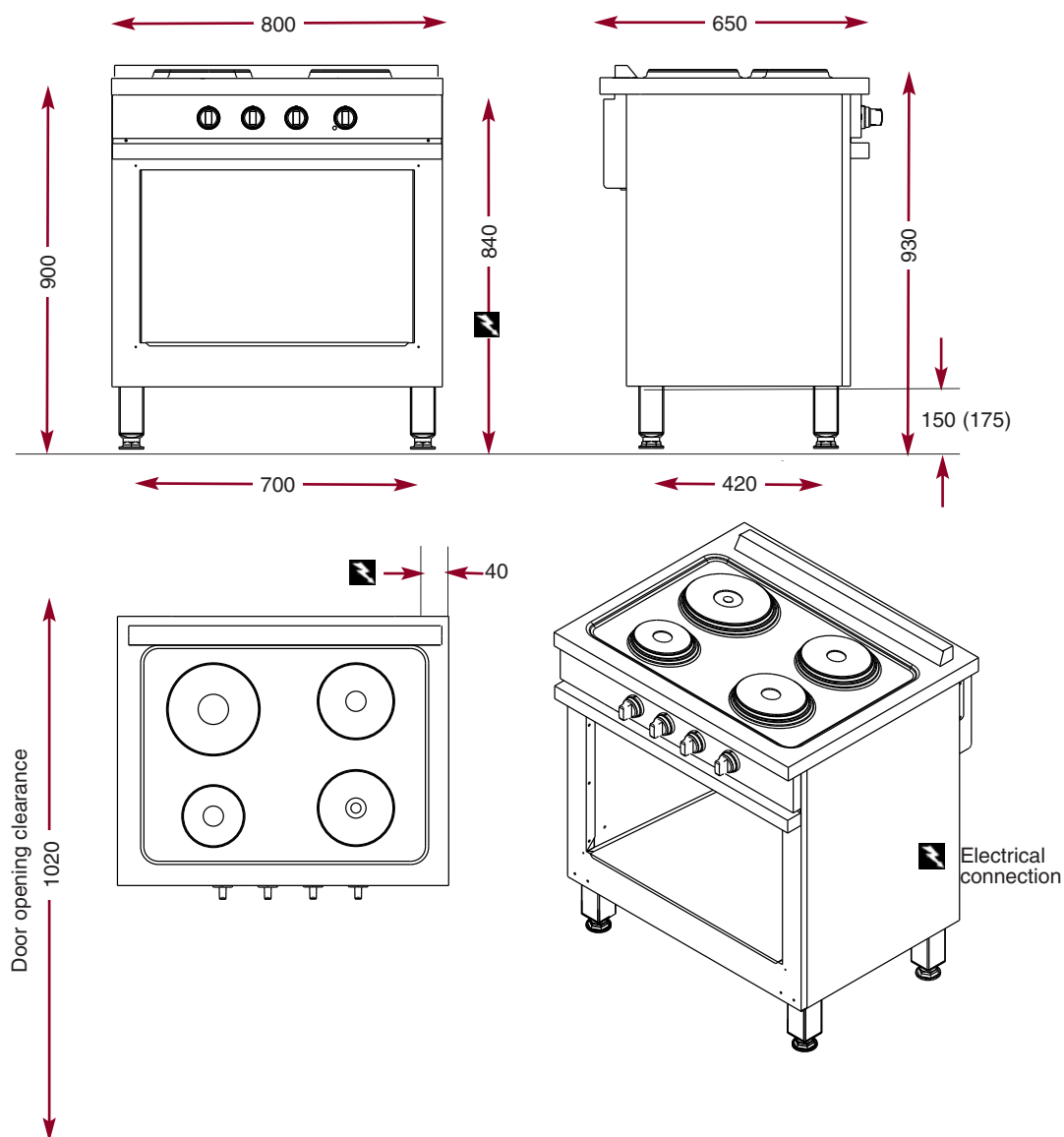
ECH 804

Door option.

CPM 800

4 electric hotplates

CME 840 E



The Chef's Choice.

N° 37 bis - 2